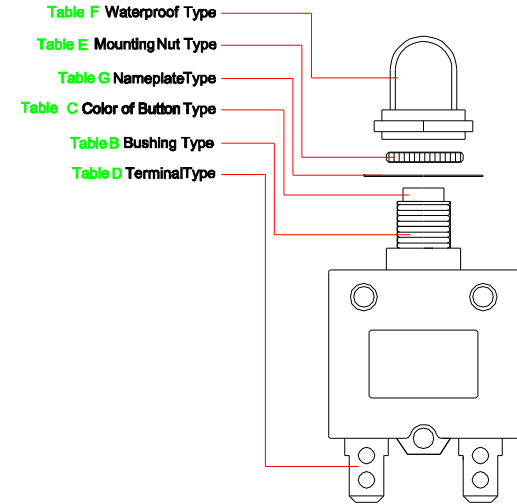


Order Guide	98-15-A1	B	1	4-	B	0	B-	N	B
Series No.									
Amp Rating.	(Table A)								
Bushing Type.	(Table B)								
Color of Button.	(Table C)								
Terminal Type.	(Table D)								
Voltage.	3=125/250Vac, 4=125/250Vac 32Vdc(Tags), 5=Client designation 9=CSA U3 type								
Mounting Nut Type.	(Table E)								
Waterproof Type.	(Table F)								
Nameplate Type.	(Table G)								
Terminal Finish.	N=Plate with Nickel 0=No plate								
Body Type.	B=Black W=White								



(Table B) Bushing Type

Bushing type= A1 Metal M11XP1.0	Bushing type= B1 Metal M11XP1.0	Bushing type= A2 Metal M12XP1.0	Bushing type= A3 Metal 3/8"-27T
Bushing type= B3 Metal 3/8"-27T	Bushing type= B7 Metal 7/16"-17T	Bushing type= P1 Plastic M11XP1.0	Bushing type= P2 Plastic M12XP1.0
Bushing type= P3 Plastic 3/8"-27T	Bushing type= PS Plastic Snap In	Bushing type= KF Plastic Snap In	Bushing type= HK Plastic Snap In
Panel Hole P1,A1,B1	A2,P2	P3,A3,B3	PS,KF,HK
			B7

(Table A) Standard Rating

03= 3.0A	15= 15.0A
3.5= 3.5A	16= 16.0A
04= 4.0A	17= 17.0A
05= 5.0A	18= 18.0A
06= 6.0A	20= 20.0A
07= 7.0A	22= 22.0A
08= 8.0A	25= 25.0A
09= 9.0A	30= 30.0A
10= 10.0A	35= 35.0A
11= 11.0A	40= 40.0A
12= 12.0A	45= 45.0A
13= 13.0A	50= 50.0A

(Table C) Color of Button Type

B	Black
W	White
R	Red
1	Black button w/ver White print
5	White button w/ver Black print
6	Red button w/ver White print

(Table E) Mounting Nut Type

0	Type= P	Type= Q	Type= A	Type= B	Type= C	Type= 4	Type= 5	Type= 6
None	Plastic Integrated Kunrnut	Plastic Kunrnut	Metal Kunrnut	Metal Hexnut M11 H=14 M12 H=16	Metal A	Plastic+Metal Q	Plastic+Metal A	Plastic+Metal B

(Table D) Terminal Type

Type=1 Straight 11.8mm	Type=2 90° bend up	Type=3 90° bend down	Type=4 90° bend Load pin	Type=5 90° bend Line pin	Type=6 Straight 8.0mm	Type=7 90° bend up / down	Type=8 45° bend up
Type=9 45° bend down	Type=X Straight 3.2mm	Type=F Screws #8-32	Type=L Screws #8-32 90° bend up	Type=J Screws #8-32 90° bend down	Type=K Screws #8-32 Load pin 90° bend	Type=G Line pin 90° bend Screws #8-32	Type=H Line pin 90° bend Screws #8-32

(Table G) Nameplate Type

0	B	A	S
None	Black plate White plate	Black plate	White plate

(Table F) Waterproof Type

0	Type=R	Type=F	Type=V	Type=U
None				