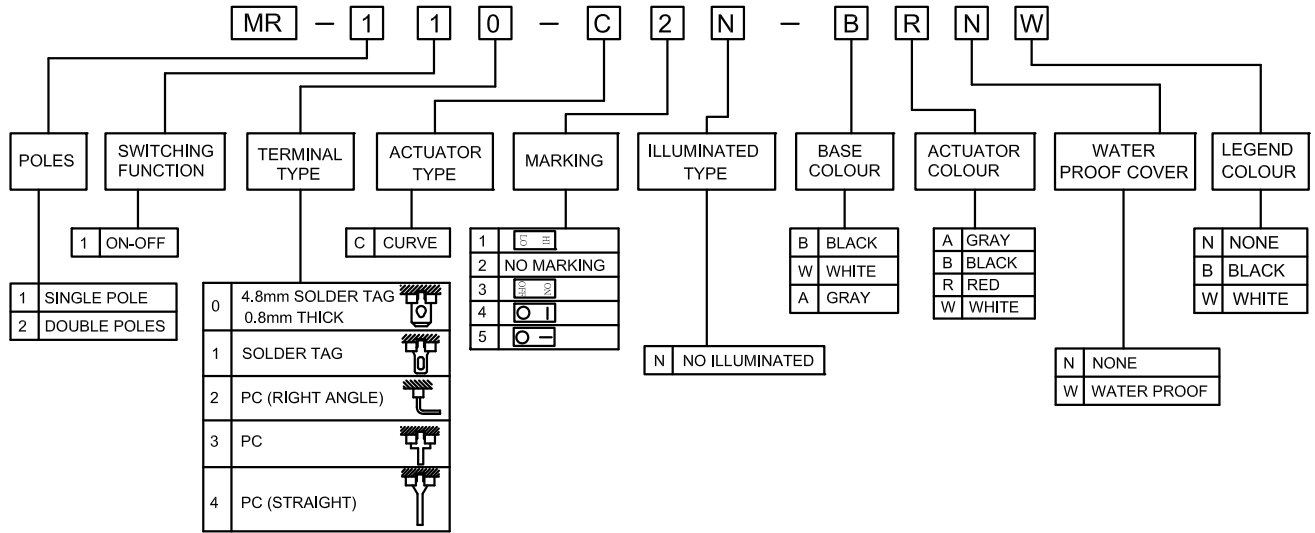


MRI (NO ILLUMINATED TYPE)



MRL (ILLUMINATED TYPE)

